

AL TSA Lina Spot Light



Outdoor SERIES



PRODUCT OVERVIEW

THE AL TSA Lina SPOT light is a very versatile and affordable Spot Light, designed for multiple luminaire Solutions, The spot light is waterproof/weather-proof that is ideal for different types of environments using self-configured Luminaire forms. The Spot light offers A Modern design that is suitable for outdoor installations.

Quality comes standard...



Hours
LIFESPAN



IP65
OUTDOOR



Low
MAINTENANCE



Year
WARRANTY



Product
CERTIFICATION

APPLICATIONS

Parks/Garden Lighting
Commercial Areas
Bridges/Pathways/Roads

CONSTRUCTION DETAILS

ADC12 Aluminium
Anti UV Glass Lens
COB LED with LM80

FEATURES

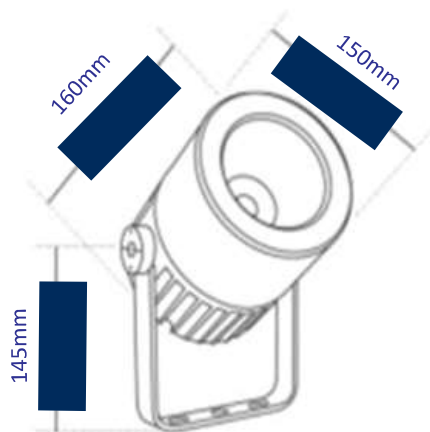
Water, Dust, Damp & Pressure Proof	UGR 22 Glare Rate
High Luminous Efficiency (100lm/W)	CRI: >80
Excellent heat dissipation	Input Voltage: 100-277VAC
Easy Installation	Power Factor: >0.95
Warranty: 5 Years	Various Beam Angles

Lina Spot Light

TECHNICAL DATA

Operating Voltage	184-265VAC - (50/60Hz)	CRI:	80 / 90 (Optional)
Power (Normal)	10, 20, 30, 38W	Colour Temp.	3000K
Operating Temp.	-20°C ~ 50°C		6000K
Surge Protection	5kV	Beam Angle	30/60°
Glare Index	UGR22 (Standard)	Driver:	TUV
	UGR19 (Optional)	Warranty	5-Year
Colour	Grey/Black	Luminaire Efficacy	1000-1100lm/W
Materials	ADC12 Aluminium		2000-2200lm/W
	Anti-UV Glass Lens		3000-2300lm/W
	LM80 LED COB		3700-4000lm/W
	IP65 Ingress Protection	Lifespan	50 000hrs
LED Chip	Bridgelux	Electrical Class	Class I

Dimensional Data



Illumination

