

# Mini FLOODLIGHT



## PRODUCT OVERVIEW

The **AL TSA Mini Floodlight** is affordable and small, yet powerful, delivering an average 95lm/W. With its rugged pure aluminium IP 65 casing and robust lens it is designed to withstand extreme weather conditions.

The **AL TSA Mini Floodlight** has an expected lifespan of 50,000 hours at an average operating temperature of 25°C and is easily installed, on the ground, a wall or a ceiling. It is well suited for small floodlight applications that does not require special requirements or harsh conditions. It is a very versatile luminaire that can be applied to fulfil any small lighting requirements. The distributed medium current chipset technology also gives it very good thermal properties with good longevity.

### APPLICATIONS

Mining Plants  
 Industrial Applications  
 Parking Areas  
 Warehouses  
 Factories

### CONSTRUCTION DETAILS

White / Black Casing  
 6063 Aluminum Casing  
 Casing has built in heat sink  
 Lightweight

### FEATURES

Weatherproof - IP65  
 60° , 90° , 120° beam angle  
 Power Factor >0.95  
 Ground Mounting  
 Wall Mounting  
 Ceiling Mounting  
 5 year warranty

## TECHNICAL DATA

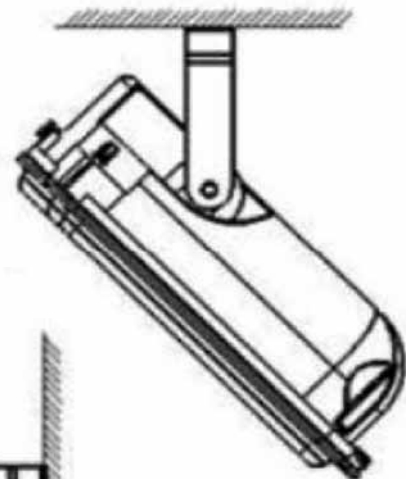
MODEL	VOLTAGE (V)	POWER (W)	LUMEN (lm)	BEAM ANGLES	CRI	CCT (K)
SL-FL-YDP20N10	AC220-240	10	950	60°, 90°, 120°	80	2700-6500K
SL-FL-YDP40N20	AC220-240	20	1900	60°, 90°, 120°	80	2700-6500K
SL-FL-YDP60N30	AC220-240	30	2800	60°, 90°, 120°	80	2700-6500K

## MOUNTING OPTIONS

GROUND MOUNTING



CEILING MOUNTING



WALL MOUNTING

